

Neenah R-4990-EX Unbolted

Series

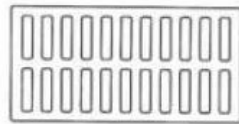
R-4990-EX

Cut Sheet

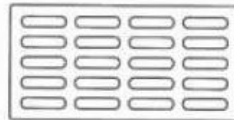
17" Wide Unbolted

17" Wide NEENAH Unbolted Heavy Duty Trench Drain Grates and Frames

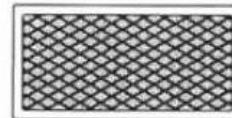
Product ID: R-4990-EX



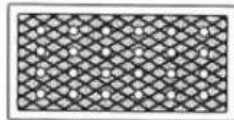
TYPE A
GRATE OPENINGS



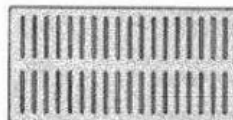
TYPE C
GRATE OPENINGS



TYPE D
SOLID LID



TYPE E
VENTED LID



TYPE P
GRATE OPENINGS

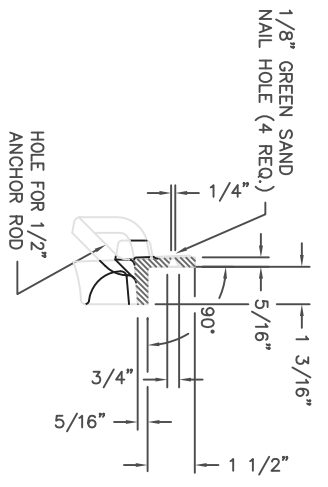
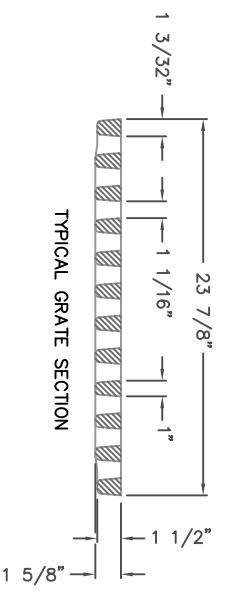
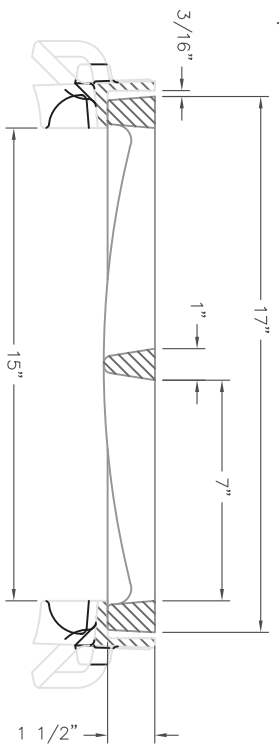
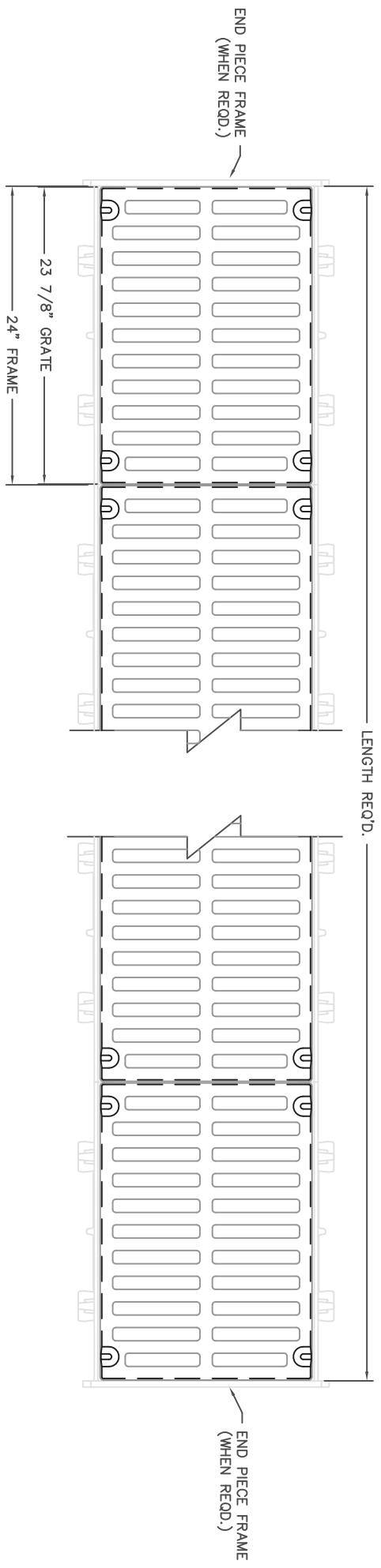
17" Wide Unbolted Neenah R-4990-EX Series Trench Grate

17"W X 24"L X 1 1/2"D
Choose Type A,C,D,E,P

Materials: All frames and grates/lids are furnished standard in gray iron, meeting ASTM-A48 Class 35-B for heavy-duty use. In Type A and P grates the slots are perpendicular to the trench run. In Type C and Q grates the slots are parallel with the trench run.

Neenah recommends project designers avoid the use of light duty trench installations because it is likely that applications will be subjected to heavy delivery vehicle traffic at some time. Furthermore, the use of a site could be changed to heavy duty use patterns at some unanticipated future date.





R-4990-EX
TYPE "A" GRATE
WITH TYPE "B" FRAME
TYPICAL SECTION
(SCALE: 1/4"=1")

Supplied By:

TRENCH DRAIN SUPPLY

877-903-7246

www.trenchdrainsupply.com

NOTE: FRAMES ARE FURNISHED IN STANDARD 2'-0" INCREMENTS. GRATES ARE FURNISHED IN STANDARD 2'-0" INCREMENTS. SPECIAL LENGTH GRATES CAN BE FURNISHED FOR ANY OVERALL LENGTH.

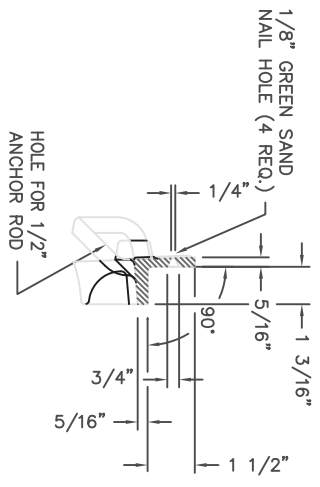
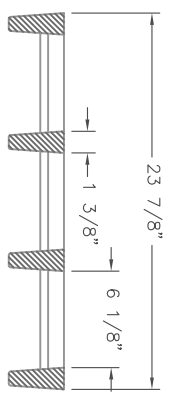
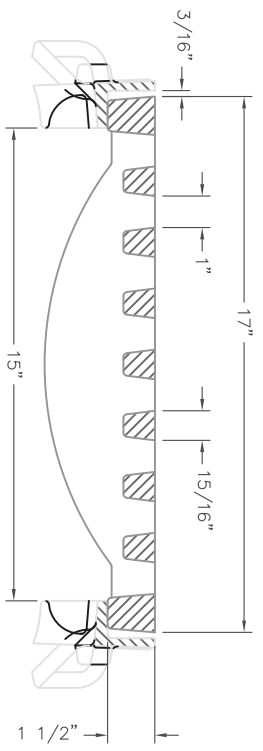
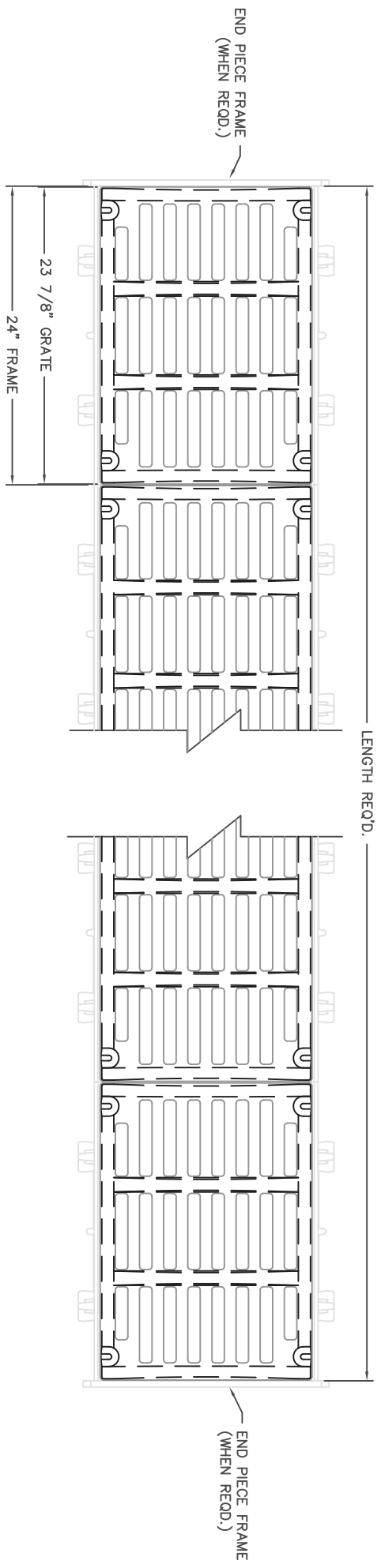
COMPONENT NOS.: SIDE PC. FRAME 4999-2415, END PC. FRAME 4990-3117, GRATE 4990-3171

MATERIAL: CAST GRAY IRON ASTM A-48, CLASS 35B

FINISH: NO PAINT, UNLESS SPECIFIED ON PURCHASE ORDER.

CAD DWG. REF: 4990EX.A.DWG- 1

| | | | | |
|-----------------------|-----------|---|------------------------------------|---------------|
| DR. | CAG | SCALE | TITLE | R-4990-EX |
| CH. | RKB | 1/8"=1" | TYPE "B" FRAME WITH TYPE "A" GRATE | |
| APP. | SPT | | | |
| DATE | 12/9/2013 | | | |
| www.neenahfoundry.com | | | | |
| | | NEENAH FOUNDRY NEENAH HANCOCK, IL 64956 PHONE 800-558-5073 LINCOLN, NEBRASKA 68529 PHONE 800-234-7468 | | |
| | | | | NF-4990EX A B |



R-4990-EX
TYPE "C" GRATE
WITH TYPE "B" FRAME
TYPICAL SECTION
(SCALE: 1/4"=1")

TYPICAL FRAME SECTION
(SCALE: 1/4"=1")

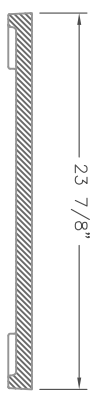
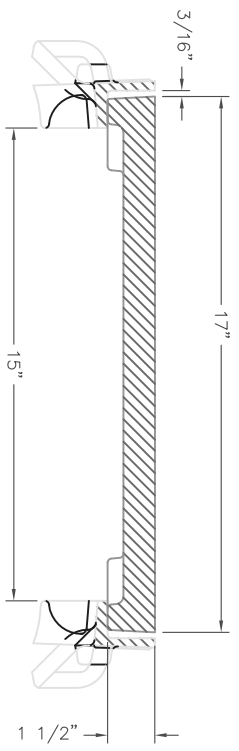
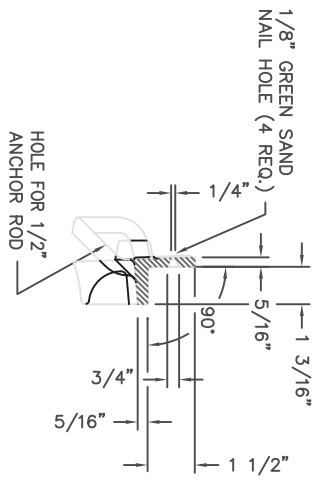
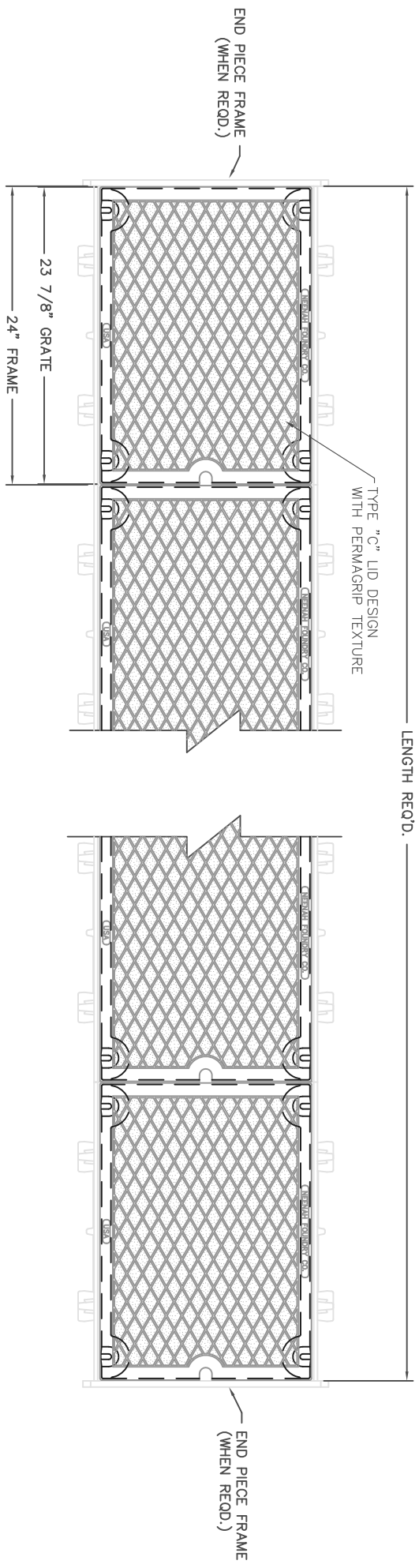
TRENCHDRAIN
SUPPLY

877-903-7246

www.trenchdrainsupply.com

NOTE: FRAMES ARE FURNISHED IN STANDARD 2'-0" INCREMENTS. GRATES ARE FURNISHED IN STANDARD 2'-0" INCREMENTS. SPECIAL LENGTH GRATES CAN BE FURNISHED FOR ANY OVERALL LENGTH.
COMPONENT NOS.: SIDE PC. FRAME 4999-2415, END PC. FRAME 4990-3117, GRATE 4990-3173
MATERIAL: CAST GRAY IRON ASTM A-48, CLASS 35B
FINISH: NO PAINT, UNLESS SPECIFIED ON PURCHASE ORDER.

| | | | |
|-----------------------|-----------|--|------------------------------------|
| DR. | CAG | SCALE | TITLE |
| CH. | RKB | 1/8"=1" | TYPE "B" FRAME WITH TYPE "C" GRATE |
| APP. | SPT | NEENAH FOUNDRY | |
| DATE | 12/9/2013 | NEENAH FOUNDRY NEENAH, WISCONSIN 54956 PHONE 900-538-5073 LINCOLN, NEBRASKA 68529 PHONE 800-231-7486 | |
| www.neenahfoundry.com | | NF-4990-EX | |
| | | C B | |



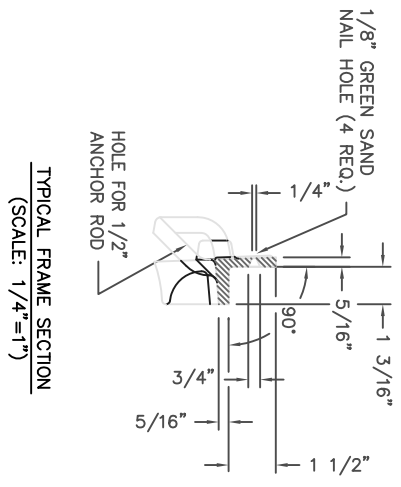
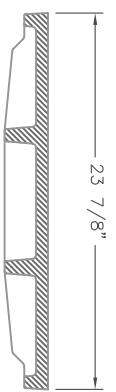
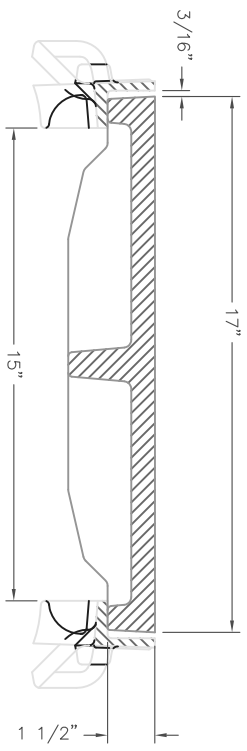
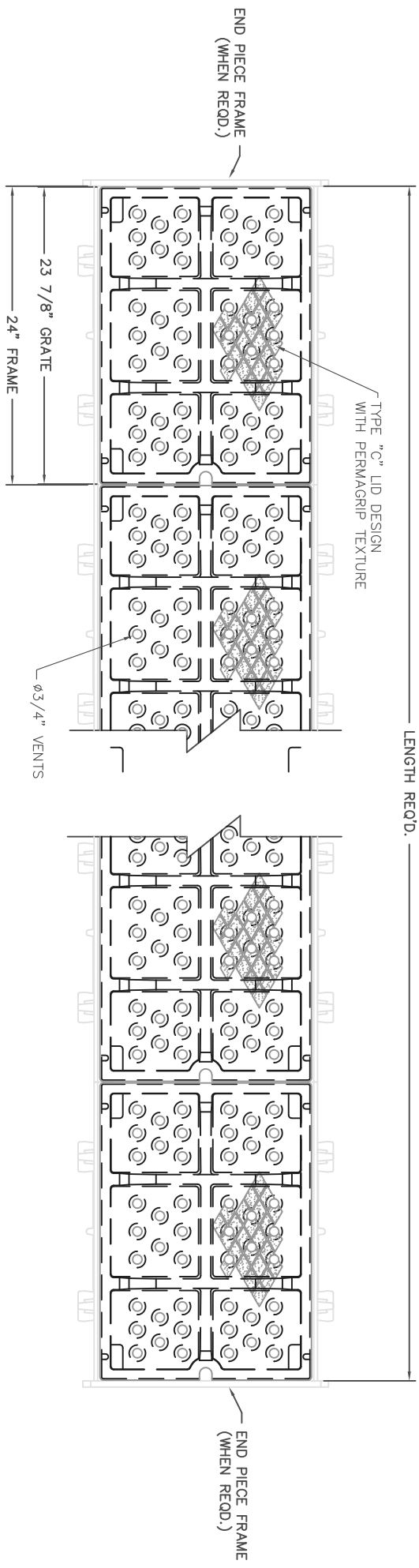
CAD DWG. REF: 4990EX D.DWG- 1

TRENCH DRAIN SUPPLY
 877-903-7246
 www.trenchdrainsupply.com

Supplied By:

| | | | | |
|-----------------------|-----------|--------------------------|----------------------------------|---------------|
| DR. | CAG | SCALE | TITLE | DR. |
| CH. | RKB | 1/8"=1" | TYPE "B" FRAME WITH TYPE "D" LID | |
| APP. | SPT | | | |
| DATE | 12/9/2013 | | | |
| www.neenahfoundry.com | | NEENAH FOUNDRY | | |
| | | NEENAH HANSONVILLE 54956 | | |
| | | LINCOLN, NEBRASKA 68529 | | |
| | | PHONE 800-538-5073 | | |
| | | PHONE 800-234-7468 | | |
| | | | R-4990-EX | NF-4990EX D B |

NOTE: FRAMES ARE FURNISHED IN STANDARD 2'-0" INCREMENTS. GRATES ARE FURNISHED IN STANDARD 2'-0" INCREMENTS. SPECIAL LENGTH GRATES CAN BE FURNISHED FOR ANY OVERALL LENGTH.
 COMPONENT NOS.: SIDE PC. FRAME 4999-2415, END PC. FRAME 4990-3117, LID 4990-3174
 MATERIAL: CAST GRAY IRON ASTM A-48, CLASS 35B
 FINISH: NO PAINT, UNLESS SPECIFIED ON PURCHASE ORDER.



R-4990-EX
TYPE "E" VENTED LID
WITH TYPE "B" FRAME
TYPICAL SECTION
(SCALE: 1/4"=1")

NOTE: FRAMES ARE FURNISHED IN STANDARD 2'-0" INCREMENTS. GRATES ARE FURNISHED IN STANDARD 2'-0" INCREMENTS. SPECIAL LENGTH GRATES CAN BE FURNISHED FOR ANY OVERALL LENGTH.
COMPONENT NOS.: SIDE PC. FRAME 4999-2415, END PC. FRAME 4990-3117, VENTED LID 4990-3175
MATERIAL: CAST GRAY IRON ASTM A-48, CLASS 35B
FINISH: NO PAINT, UNLESS SPECIFIED ON PURCHASE ORDER.

TRENCH DRAIN SUPPLY
877-903-7246
www.trenchdrainsupply.com

| | | | | |
|-----------------------|-----------|--|---|---------------|
| DR. | CAG | SCALE | TITLE | R-4990-EX |
| CH. | RKB | 1/8"=1" | TYPE "B" FRAME WITH TYPE "E" VENTED LID | |
| APP. | SPT | | | |
| DATE | 12/9/2013 | | | |
| www.neenahfoundry.com | |  NEENAH FOUNDRY NEENAH HANCOCK, IN 4986 PHONE 900-538-5073 INDCAL, NEENASKA 88529 PHONE 800-234-7468 | | |
| | | | | NF-4990EX E B |

R-4990 HEAVY DUTY TRENCH

Materials: All frames and grates/lids are furnished standard in gray iron, meeting ASTM-A48 Class 35-B for heavy-duty use. For extra heavy-duty use or superior durability requirements, see our ductile iron Airport and Port Grating Series on page 286.

Neenah recommends project designers avoid the use of light duty trench installations because it is likely that applications will be subjected to heavy delivery vehicle traffic at some time. Furthermore, the use of a site could be changed to heavy duty use patterns at some unanticipated future date.

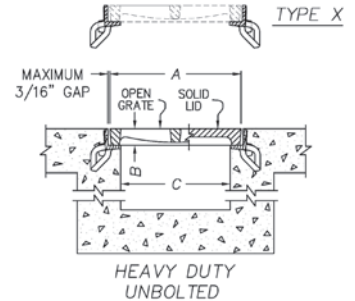
Dimensions in inches

| Un-Bolted Catalog No. | A | B | C | Type A | Type C | Type D | Type E | Type P | Type Q |
|-----------------------|----|-------|----|--------|--------|--------|--------|--------|--------|
| R-4990-AX | 8 | 1 1/2 | 6 | x | x | x | x | x | |
| R-4990-BX | 10 | 1 1/2 | 8 | x | x | x | x | x | |
| R-4990-CX | 12 | 1 1/2 | 10 | x | x | x | x | x | x |
| R-4990-DX | 14 | 1 1/2 | 12 | x | x | x | x | x | x |
| R-4990-EX | 17 | 1 1/2 | 15 | x | x | x | x | x | |
| R-4990-FX | 20 | 1 1/2 | 18 | x | x | x | x | x | |
| R-4990-GX | 23 | 1 1/2 | 21 | x | x* | x | | | |
| R-4990-HX | 26 | 1 1/2 | 24 | x | x* | x | x | | x |
| R-4990-JX | 30 | 2 | 27 | x | x | x | | | |
| R-4990-KX | 33 | 2 | 30 | x | x | x* | x | | |
| R-4990-LX | 36 | 2 | 33 | x | x | x* | | | |
| R-4990-MX | 39 | 2 | 36 | x | x* | x | | | |
| R-4990-NX | 45 | 2 | 42 | x | x* | x | | | |
| R-4990-OX | 51 | 2 | 48 | x | | x* | | | |

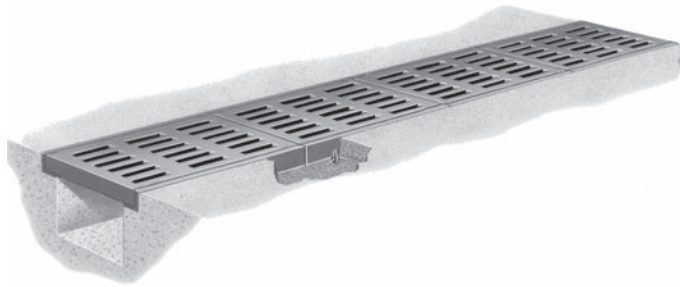
x - Indicates availability.

* Deep Ribs (consult shop drawing for dimensions).

Deep Ribs = "B" dimension times 2 or greater.



General schematic shown may not apply to all designs. Bar and rib depths, plate thicknesses and seating widths vary on different sizes and styles. If your project has design restrictions, contact your sales representative or product engineering.



Illustrating Type C trench. Trench sections are furnished in 24" standard lengths.

Note: In Type A and P grates the slots are perpendicular to the trench run. In Type C and Q grates the slots are parallel with the trench run.

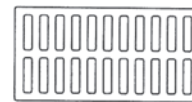
Read Carefully Before Ordering

The various standard trench drains are available with a number of alternatives. It is important to examine all of the variables carefully and specify your requirements fully. Your order will be entered correctly and promptly if it includes the following information:

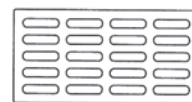
- Complete catalog number
- Frame end pieces, when required
- Type of Lid or Grate: A, C, D, E, P or Q
- Length of trench sections
- Angles and intersections *
- Load requirements

*Trenches with angles, intersections, size changes or other special requirements require detail drawings prior to ordering. Contact your sales representative or product engineering for assistance.

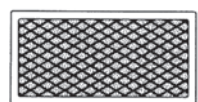
800-558-5075



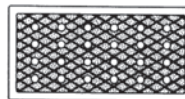
TYPE A
GRATE OPENINGS



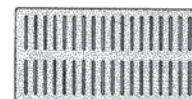
TYPE C
GRATE OPENINGS



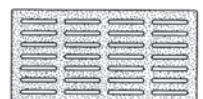
TYPE D
SOLID LID



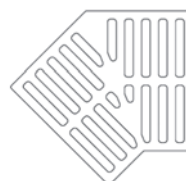
TYPE E
VENTED LID



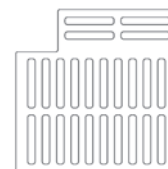
TYPE P
GRATE OPENINGS



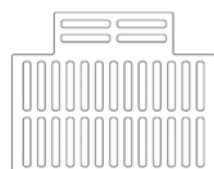
TYPE Q
GRATE OPENINGS



TYPE A
45 DEGREE
INTERSECTION PC.



TYPE A
90 DEGREE
INTERSECTION PC.



TYPE A
"T" INTERSECTION PC.

Note: 45°, 90° and "T" available in limited sizes and types.

Suggested Forming Instructions for R-4990 Frame and Grate/Lid

Unbolted Units

A typical installation is shown in Figure 1. Details and suggestions are based on using the Neenah Foundry Type X Frame.

Materials

Under normal situations, use 3/4 inch plywood for forming walls. 2x4s are suitable for studs, plates, bracing and spreaders.

Forming Procedures

Pour the floor slab of the trench according to the plans and specifications. The width of the forming, (see Figure 2) measured from the outside edges of the forms, corresponds to the "C" dimension on Figure 1. During the entire forming procedure, verify that the forms are plumb, straight, solid and level.

The height of the form corresponds to the final grade elevation. Extend the spreaders beyond the edge of the forms (see Figure 3 and 4) to provide a stop for the frame and seat form.

To attach the cast iron frame to the forming, the use of a "seat form" is recommended to assure that the frame is at the proper elevation and true. The seat form has the same dimensions as the frame, with the height corresponding to the frame height (the "B" dimension), and the width the same as the seat width of the frame. The seat width should be field measured to assure as proper fit. All Neenah frames have a slight radius at the corner of the seat and vertical face so the seat form should be beveled to accommodate the radius. Most 2x4's have this radius.

Nail the seat form to the frame using the holes in the frame. (Figures 3 & 4)

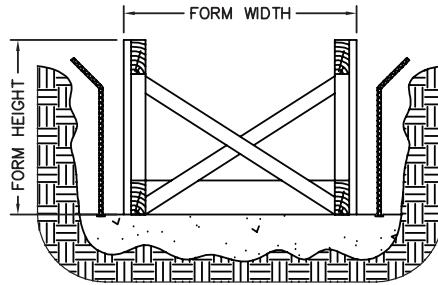
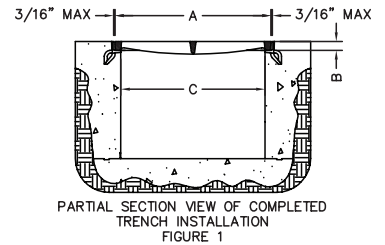


FIGURE 2

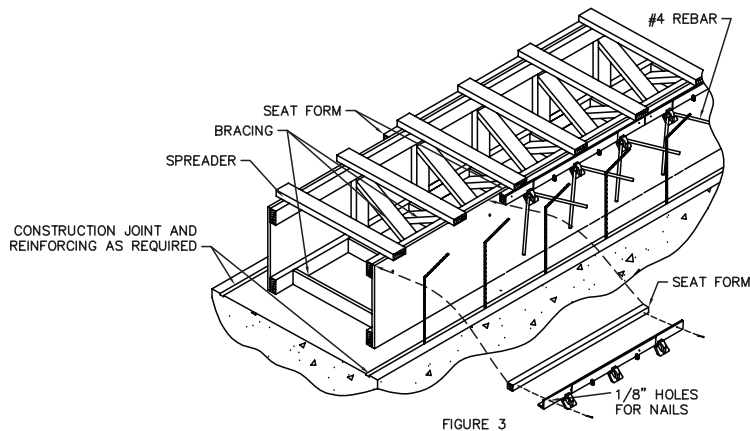


FIGURE 3

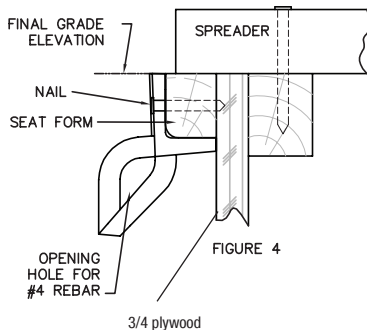


FIGURE 4

(The rebar shown in the vertical walls of the trench is for illustrative purposes only. Proper sizing and placement is the responsibility of the engineering firm providing the project design.)

Frames should butt together snugly, leaving as little gap as possible. Place a 90 degree bent #4 rebar through the holes in the anchor lugs to provide anchorage in the concrete. Verify the space between the edges of the grate and frame so grates will fit properly. There should be a gap but no greater than 3/16" (see Figure 1).

Pour concrete and use the top edge of the frame as a screed point.

Supplied By:

**TRENCHDRAIN
SUPPLY**

877-903-7246

www.trenchdrainsupply.com